

# Stationary Offline System

SOS for Indoor/Outdoor Fluid Filtration Needs

## Customer Value Proposition:

- Offline filtration systems can operate independently of the main system for continued filtration providing cleaner fluids.
- The SOS system is easy to install, service, and maintain.
- Turn key package with NEMA 4, IP65 enclosure.
- Ideally suited for remote applications, or where operating conditions require protection from a harsh environment.



## Contact Information:

Parker Hannifin Corporation  
**Hydraulic Filter Division**  
16810 Fulton County Road #2  
Metamora, OH 43540 USA

## Product Features:

- Self contained offline filtration package
- Self monitoring
- Auto shut-off
- High visibility filter bypass alarm
- Easy serviceability
- 5 gpm flow rate
- NEMA 4 enclosure
- Visual/electrical element service indicator
- Optional heater with insulated enclosure
- High capacity filter for maximum life

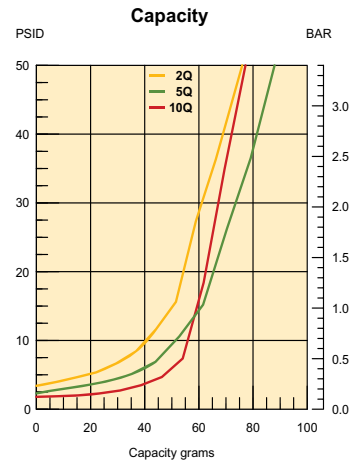
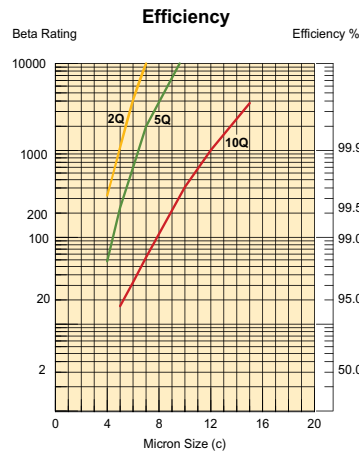


ENGINEERING YOUR SUCCESS.

## Performance Data



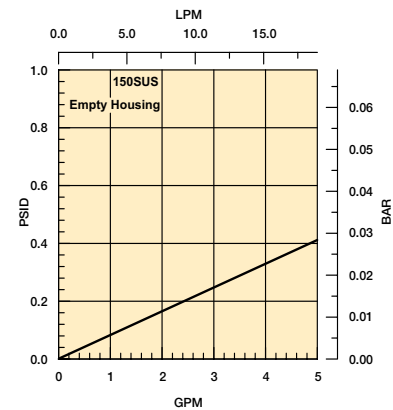
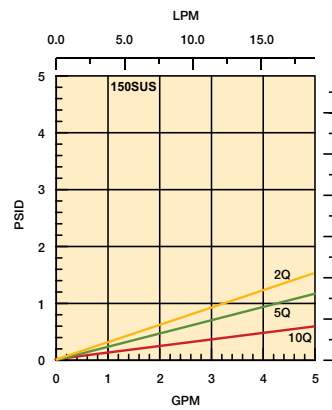
Parker's new patented Moduflow™ Plus element was designed with built-in diverter cone and bypass valve, to meet your application needs.



### Applications

- Oil & Gas
- Plastic Injection Molding
- Die Casting
- Steel
- General Industrial
- Power Generation
  - Load Tap Changer
  - Wind Turbines
  - Transformer
- Mining
- Off-highway Equipment
- Food Processing
- Refining
- Paper Mills
- Aircraft Ground Support

### Flow vs Pressure Loss



## Specifications

**Flow rate:** 5 gpm

**Filtration:** High efficiency Microglass III  
( $B_x = 200+$ ).

**Enclosure:** Weatherproof NEMA 4 IP 65 with sealed safety glass window.

**Electrical service required:** 115V, 10A, single phase, 60 Hz

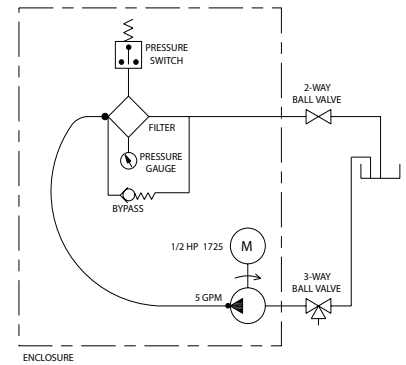
**Electrical motor:** 1/2 HP @ 1725 rpm w/ thermal overload protection.

**Filter bypass alarm:** Red strobe light indicates at 20 psid filter element pressure drop.  
Auto shut-down at 40 psid.

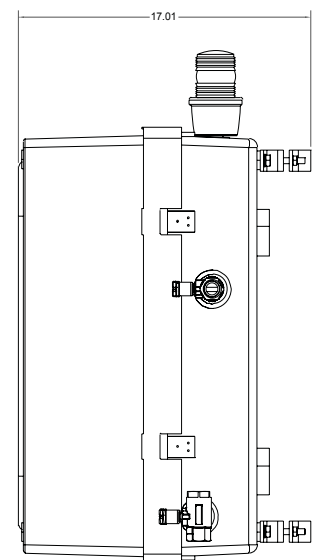
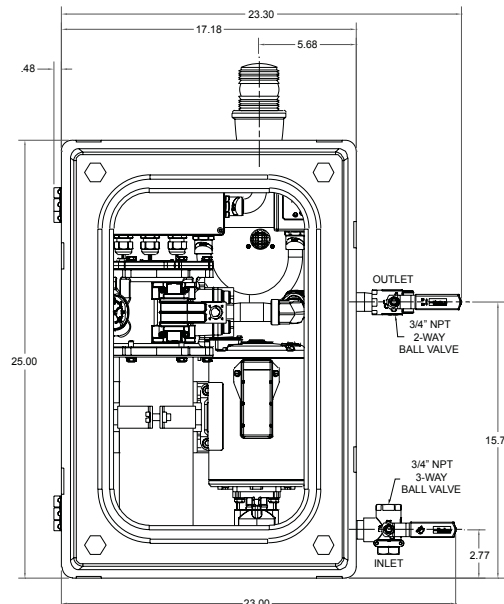
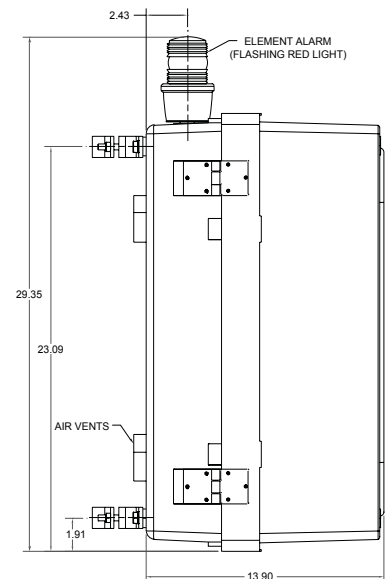
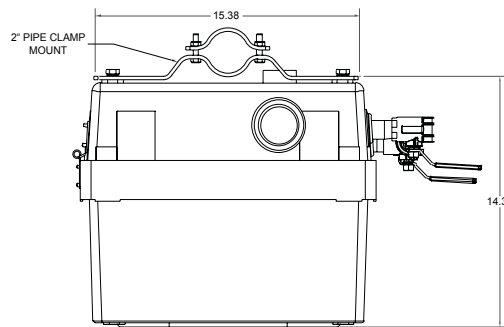
**Seals:** Nitrile

**Weight:** Approximately 80 lbs.

*Compatible with most petroleum based fluids, including dielectric oils. Rated for continuous duty.*



The Moduflow™ Plus filter is known for its performance and durability. It has been engineered to provide the highest level of performance for today's demanding filtration requirements.



Dimensions are in inches.

# Stationary Offline System

## How to Order

Select the desired symbol (in the correct position) to construct a model code.

Example:

BOX 1	BOX 2	BOX 3	BOX 4	BOX 5	BOX 6	BOX 7	BOX 8
SOS	5	02Q	B	E	I	N12	1

BOX 1: Filter Series	
Symbol	Description
SOS	Stationary Offline System

BOX 2: Model	
Symbol	Description
5	5 gpm flow rate

BOX 3: Media Code	
Symbol	Description
02Q	Microglass III, 2 micron
05Q	Microglass III, 5 micron
10Q	Microglass III, 10 micron
WR	Water removal

BOX 4: Seals	
Symbol	Description
B	Nitrile (NBR)
V	Fluorocarbon (FKM)

BOX 5: Indicator	
Symbol	Description
E	Electrical with visual gauge (includes external lighted beacon)

BOX 6: Bypass	
Symbol	Description
I	35 PSID

BOX 7: Ports	
Symbol	Description
N12	3/4" NPT integral threads

BOX 8: Options	
Symbol	Description
1	With Bypass
	Heater (consult factory)

Please note the bolded options reflect standard options with a reduced lead-time. Consult factory on all other lead-time options.

## Replacement Elements

Media	Nitrile Seals Part Number	Fluorocarbon Seals Part Number
02Q	937393Q	937401Q
05Q	937394Q	937402Q
10Q	937395Q	937403Q
WR	927584	—

